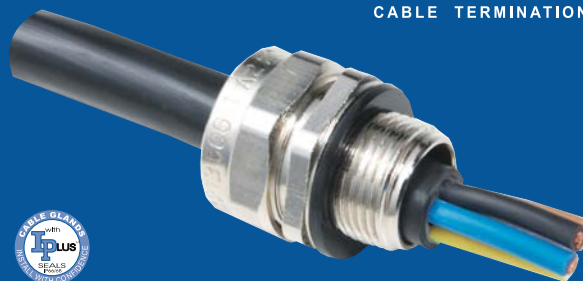


CCG A2

Compression Gland

for FLEXIBLE CABLE



Features and Benefits

- For indoor and outdoor use.
- Seals the cable sheath to IP68.
- Specially formulated elastomeric seals.
- Wide sealing range.
- Precision manufactured from high quality brass and nickel plated, available in aluminium or stainless steel on request.
- Complete with high quality brass locknuts and IP gasket.

Technical Data

Type	A2
Gland Material	Brass (Nickel Plated) BS 2874, EN12164, Aluminium ASTM BS221, Stainless Steel 316
Seal Material	Thermoplastic Elastomer (Silicone on request)
Cable Type	Unarmoured
Sealing Area	Outer Sheath
Optional Accessories	Locknut, Shroud, Earth Tag, Adaptor/Reducer

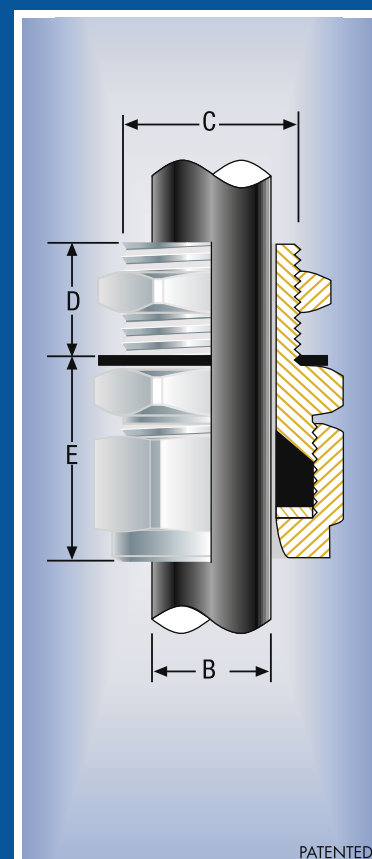
Standards and Certifications

Design Standards:	SABS 1213, BS 6121 Part 1, EN 50262
Certification:	
Marine	09-SG435709A/1-PDA
SANS/SABS 1213	S787/D586
BS 6121 Part 1	SGS 1542/97153
Ingress Protection:	IP66/68
Operating Temperature	-30°C to +130°C



Installation Standards

- ANZS 3000
- BS 6121-5
- BS 7671
- BS 7430
- IEC 60364-5-54
- SANS 0142

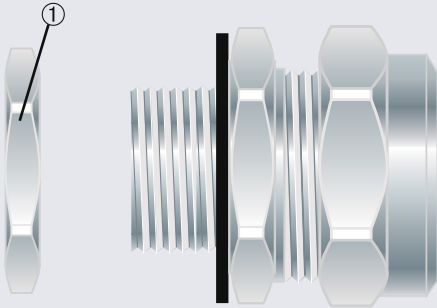


PATENTED

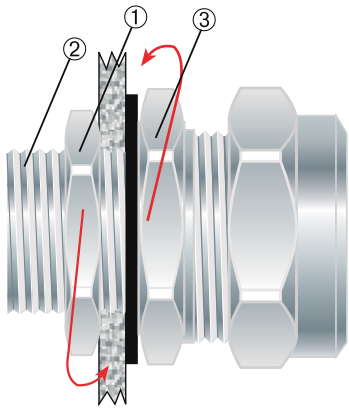
Product Code	Gland Size Reference	Entry Thread		Cable Detail		Maximum Length 'E'	Hexagonal Details (Max)	
		Metric 'C'	Min 'D'	Min 'B'	Max 'B'		'Flats'	'Crns'
053500-16	00-16	M16 x 1.5	10	1.0	6.0	20	17	19
053500	00-20 _{ss}	M20 x 1.5	10	3.0	8.0	20	24	27
0535-0	0-20 _s	M20 x 1.5	10	7.0	11.0	20	24	27
053501	1-20	M20 x 1.5	10	11.0	15.5	24	27	31
053502	2-25	M25 x 1.5	10	15.0	20.5	25	35	40
053503	3-32	M32 x 1.5	10	20.0	26.5	30	42	48
053504	4-40	M40 x 1.5	10	26.0	34.5	30	52	60
053505	5-50	M50 x 1.5	10	34.0	44.5	42	65	75
053506	6-63	M63 x 1.5	10	44.0	57.0	48	82	94
053507	7-75	M75 x 1.5	20	56.0	68.0	50	96	110
053508	8-80	M80 x 2.0	20	65.0	74.0	55	96	110
053509	9-90	M90 x 2.0	20	73.0	82.0	60	110	125
053510	*10-100	M100 x 2.0	20	81.0	92.0	74	-	-
053511	*11-110	M110 x 2.0	20	91.0	102.0	92.5	-	-
053512	*12-120	M120 x 2.0	28	101.0	110.0	92.5	-	-
053513	*13-130	M130 x 2.0	28	109.0	120.0	92.5	-	-

All dimensions are in mm. *Sizes 10 to 13 are of round slotted material, for use with CCG 'C' spanner. Entry threads "C". Sizes 16mm to 75mm have a 1.5mm pitch. Sizes 80mm to 130mm have a 2mm pitch.

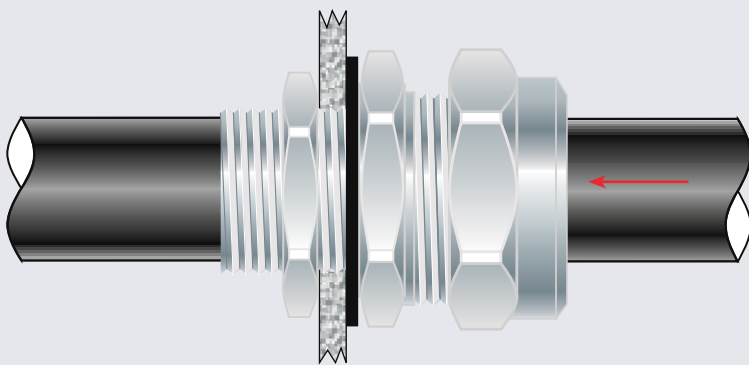
CCG A2 Compression Gland



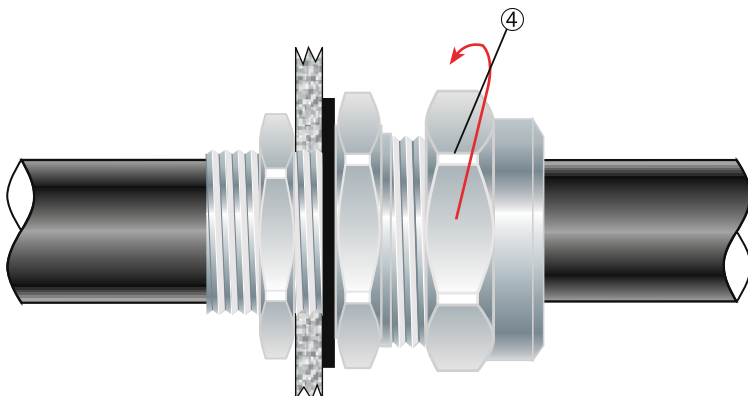
1. Remove locknut ① .



2. Insert gland bush ② into cable entry of apparatus and tighten inner ③ and locknut ① .



3. Pass cable end through gland assembly.



4. Tighten outer nut ④ to produce a seal and grip on the cable.